

18.	14T/150P	Ø75/35W.	ROLLER CHAIN S.S.E. DRG. NO.	Ø674	WITHOUT KEY WAY +0.003 -0.000	Ø270	130	3+4=7	BAGASSE CARRIER & R.B.C. T/E SHAFT			
17.	14T/150P	Ø75/35W.	C-MH-2060	Ø674	36 +0.003 -0.000	Ø230	130	3+4=7	BAGASSE CARRIER & R.B.C. T/E SHAFT			
16.	14T/150P	Ø75/35W.	ROLLER CHAIN	Ø674	40 +0.003 -0.000	Ø270	130	2+2=4	BAGASSE CARRIER & R.B.C. H/E SHAFT			
15.	14T/150P	Ø75/35W.	S.S.E. DRG. NO.	Ø674	36 +0.003 -0.000	Ø240	130	2	BAGASSE ELEVATOR H/E SHAFT			
14.	14T/150P	Ø75/35W.	C-MH-2060	Ø674	146.4 +0.003 -0.000	Ø230	130	1	BAGASSE ELEVATOR T/E SHAFT			
13.	14T/229P	-	FORGED BLOCK	Ø1029	WITHOUT KEY WAY	Ø240	130	1	BAGASSE ELEVATOR T/E SHAFT			
12.	14T/229P	-	TYPE CHAIN	Ø1029	40 +0.003 -0.000	Ø270	140	6	INTER RAKE CARRIER H/E SHAFT			
11.	14T/229P	-	D-MH-3639	Ø1029	36 +0.003 -0.000	Ø230	140	3	INTER RAKE CARRIER T/E SHAFT			
10.	14T/229P	-	FORGED BLOCK	Ø1029	WITHOUT KEY WAY	Ø240	140	3	INTER RAKE CARRIER T/E SHAFT			
09.	14T/229P	-	TYPE CHAIN	Ø1029	40 +0.003 -0.000	Ø270	140	2	R/C BELT <sup>n</sup> FIB. TO BELT CONVEYOR H/E SHAFT			
08.	14T/229P	-	D-MH-3638	Ø1029	36 +0.003 -0.000	Ø230	140	1	R/C BELT <sup>n</sup> FIB. TO BELT CONVEYOR T/E SHAFT			
07.	14T/229P	-	ROLLER CHAIN S.S.E.	Ø1029	WITHOUT KEY WAY	Ø250	140	1	R/C BELT <sup>n</sup> FIB. TO BELT CONVEYOR T/E SHAFT			
06.	14T/150P	Ø75/35W.	DRG. NO. C-MH-2068	Ø674	WITHOUT KEY WAY	Ø270	130	2	CANE CARRIER T/E SHAFT			
05.	14T/150P	Ø75/35W.	ROLLER CHAIN	Ø674	36 +0.003 -0.000	Ø240	130	1	CANE CARRIER T/E SHAFT			
04.	14T/150P	Ø75/35W.	S.S.E.	Ø674	56 +0.003 -0.000	Ø400	130	3	CANE CARRIER H/E SHAFT			
03.	12T/150P	Ø75/35W.	FEEDER TABLE	Ø579.5	WITHOUT KEY WAY	Ø170	130	8+8=16	FEEDER TABLE T/E SHAFT			
02.	12T/150P	Ø75/35W.	FEEDER TABLE	Ø579.5	28 +0.003 -0.000	Ø170	130	2+2=4	FEEDER TABLE H/E SHAFT			
01.	12T/150P	Ø75/35W.	REF. CHAIN	Ø579.5	28 +0.003 -0.000	Ø170	130	6+6=12	FEEDER TABLE H/E SHAFT			
SR.NO.	NO. OF TEETH / SPROCKET PITCH	ROLLER DIA. & WIDTH	REF. CHAIN DRG. NO.	P.C.D.	Ø488	C	Ø	E	QTY.	APPLICATION	BY	CHRD.

CLIENT: BHORAMDEV S.S.U.K.M. KAWARDHA.

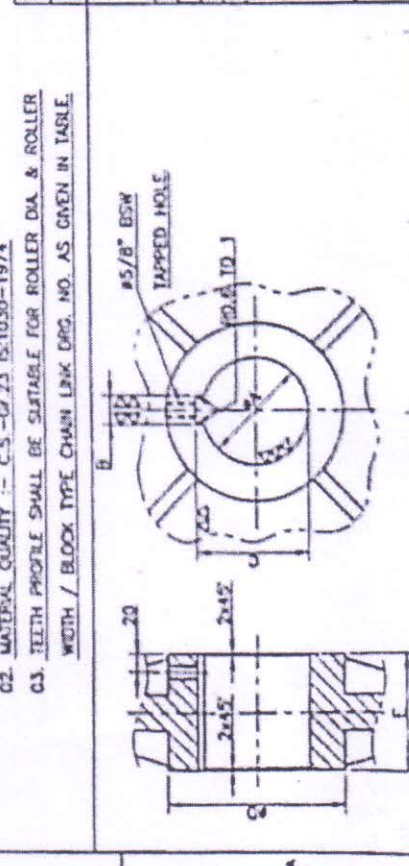
DESIGNER: BHAYALASE JAYSHINGH  
CHECKED: *S.S. B. B.*  
APPROVED: *S.S. B. B.*

SCALE: 1:5  
DATE: 01/04/2002

TITLE: BORE AND KEYWAY  
DETAIL FOR SPROCKET  
(MILL HOUSE)

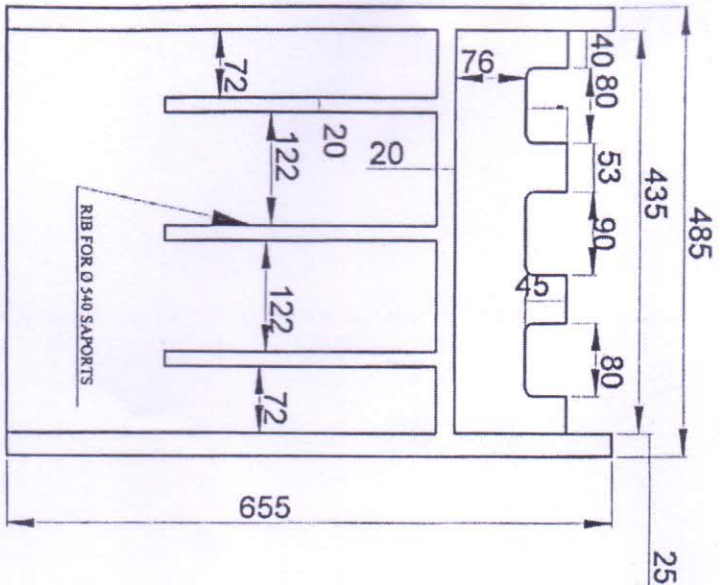
REV. NO. 3

ORG. NO. D-MH-3639

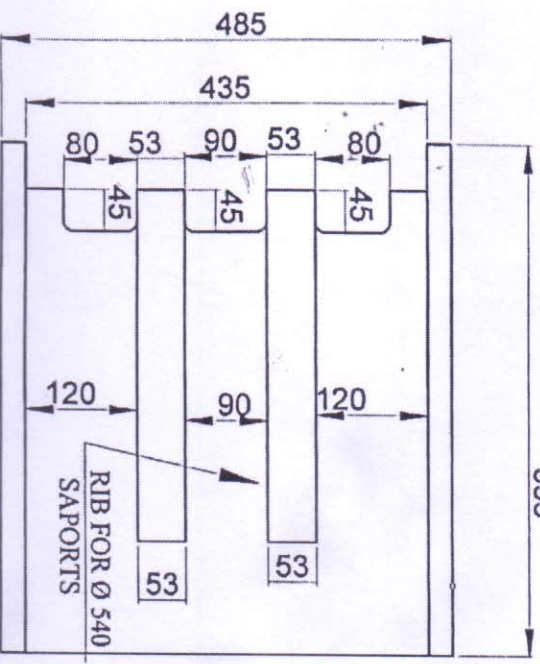


- NOTES :-
- KEY WAY MUST BE ON TOOTH CENTER.
  - MATERIAL QUALITY :- C-5 - Gr. 23 IS:1030-1974
  - TEETH PROFILE SHALL BE SUITABLE FOR ROLLER DIA. & ROLLER WIDTH / BLOCK TYPE CHAIN LINK DRG. NO. AS GIVEN IN TABLE.

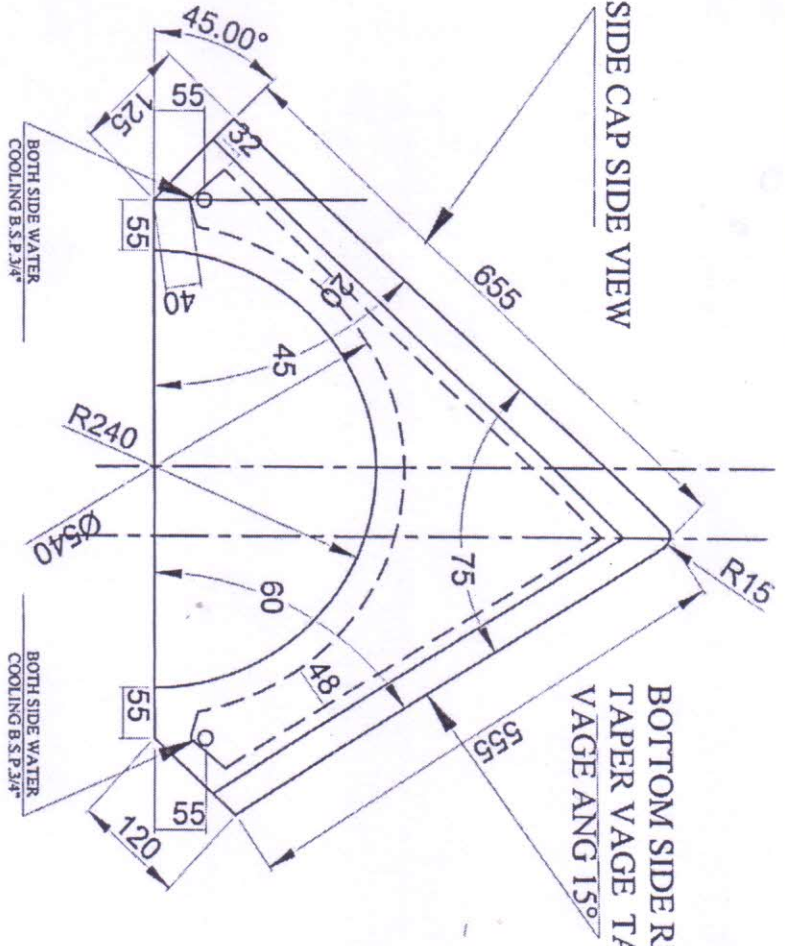




SIDE CAP SIDE VIEW



BOTTOM SIDE TAPPER VAGE



SIDE CAP SIDE VIEW

BOTTOM SIDE REST OF TAPER VAGE TAPPER VAGE ANG 15°

SIDE VIEW

SIDE VIEW

*H Bell*

CAST STEEL CASTING BODY WITH RIBS AND WITH WATER COOLING ARANGMENT

MATERIAL:-  
C.S.-I.S 2708 Illrd

**BHORAMDEO S.S.U.K. KAWARDHA(G.G.)**

TITLE :-C.S. FEED AND DISCHARGE BEARING HOUSING

SCALE:- N.T.S.	DRN.:- CHD.:-	NITTIN	DATE:-19-05-16
ALL DIM. ARE IN MM	APPD.:-		DRG. NO. COM. B.S.S.U.K./M.H./830/16



222

120

80

R10

12

50

40

40

BEARING SIZE  
 Ø130  
 Ø155  
 Ø180  
 Ø232

Ø232  
 Ø180  
 Ø130

Ø15x25 MM DEEP HOLE  
 FOR DOWEL PIN

TAPED HOLE M-12 DEEP 15  
 LOCK FOR BEARING  
 SIDE FLATE

Ø306

Ø280

Ø232

Ø350

Ø155

MATERIAL = EN8

# BHORAMDEO S.S.U.K. KAWARDHA(C.G.)

TITLE :-DETAIL OF CANE UNALOADER BRIDGE

SCALE:-  
 N.T.S.  
 ALL DIM.  
 ARE IN MM

DRN.:-  
 CHD.:-  
 APPD.:-

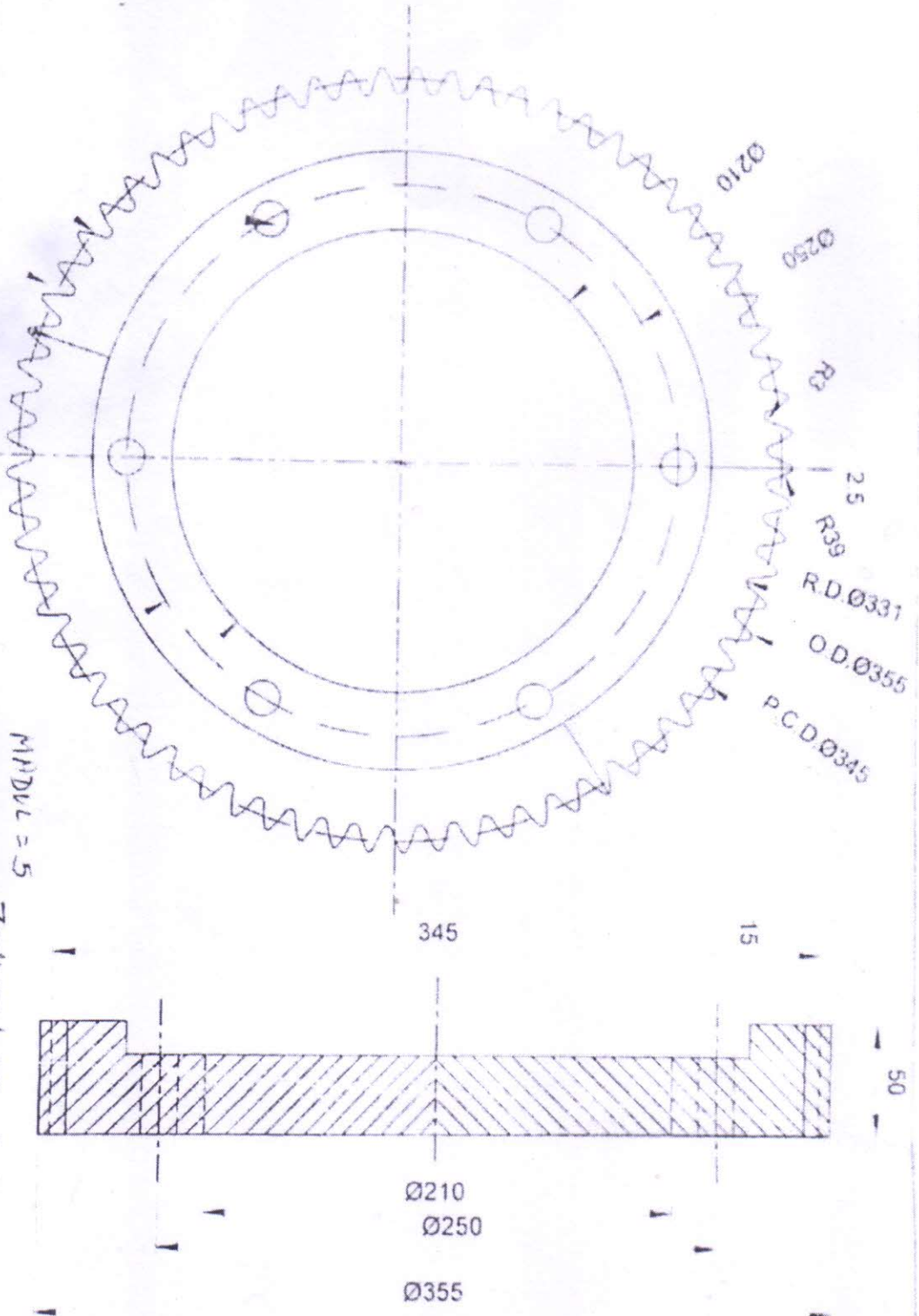
DATE:-19-05-16  
 DRG. NO.  
 COM. B.S.S.U.K./M.H./821/16

NITIN  
 [Signature]

[Signature]

10/5/16

Ø16 MM HOLE NOS OF 6



**BHORAMDEO S.S.U.K. KAWARDHA(C.G.)**

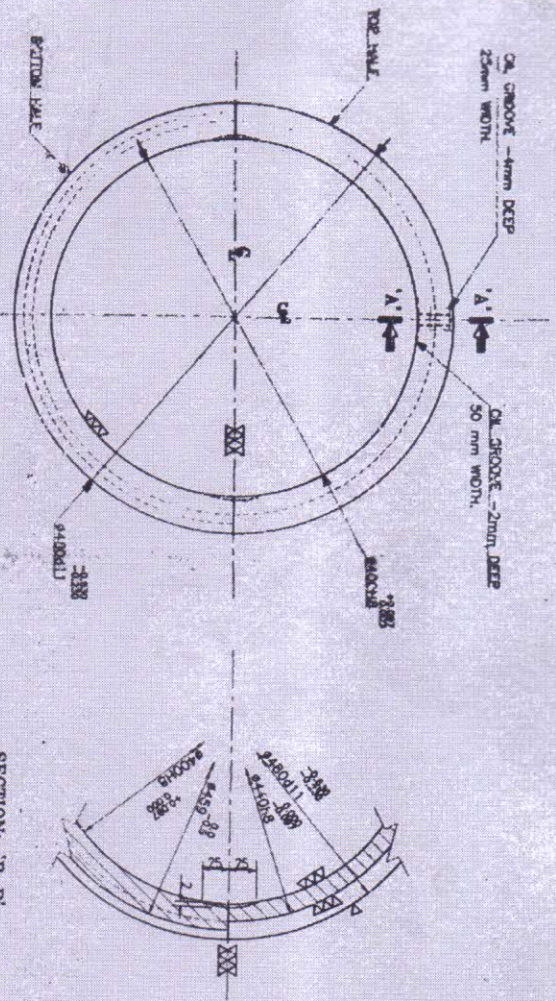
TITLE :- CANE UNAI ODAR BRIDGE WHEEL GEAR

SCALE:- N.T.S. ALL DIM ARE IN MM	DRN:- CHD:- APPD:-	NTIN <i>[Signature]</i>	DATE:-19-05-16
		<i>[Signature]</i>	DRG. NO.
			COM. B.S.S.U.K/M.H./832/16

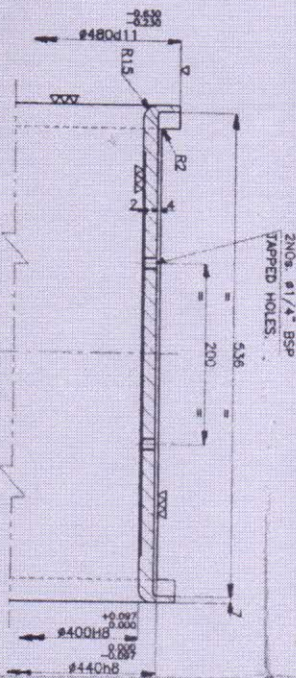




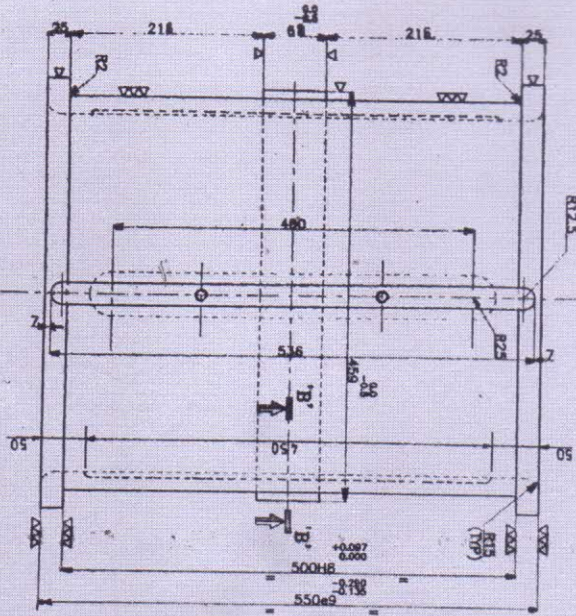




SECTION:-A-A'



SECTION:-B-B'



SECTION:-A-A'

- NOTES:-
- 1) CASTING SHOULD BE FREE FROM BLOWHOLES & CRACKS.
  - 2) REMOVE ALL SHARP CORNERS.
  - 3) MATERIAL QUALITY:-GUN METAL IS-318, Gr-2.

ALT. NO.	ALTERATION	MADE BY	CHKD BY

NO.	DESCRIPTION	REV.	DATE	BY	CHKD.	QTY.	UNIT.	WT.	NO.
01	MILL DRIVE GEAR SHAFT					154			
02	MILL DRIVE GEAR SHAFT					154			
03	MILL DRIVE GEAR SHAFT					154			
04	MILL DRIVE GEAR SHAFT					154			
05	MILL DRIVE GEAR SHAFT					154			
06	MILL DRIVE GEAR SHAFT					154			
07	MILL DRIVE GEAR SHAFT					154			
08	MILL DRIVE GEAR SHAFT					154			
09	MILL DRIVE GEAR SHAFT					154			
10	MILL DRIVE GEAR SHAFT					154			
11	MILL DRIVE GEAR SHAFT					154			
12	MILL DRIVE GEAR SHAFT					154			
13	MILL DRIVE GEAR SHAFT					154			
14	MILL DRIVE GEAR SHAFT					154			
15	MILL DRIVE GEAR SHAFT					154			
16	MILL DRIVE GEAR SHAFT					154			
17	MILL DRIVE GEAR SHAFT					154			
18	MILL DRIVE GEAR SHAFT					154			
19	MILL DRIVE GEAR SHAFT					154			
20	MILL DRIVE GEAR SHAFT					154			
21	MILL DRIVE GEAR SHAFT					154			
22	MILL DRIVE GEAR SHAFT					154			
23	MILL DRIVE GEAR SHAFT					154			
24	MILL DRIVE GEAR SHAFT					154			
25	MILL DRIVE GEAR SHAFT					154			
26	MILL DRIVE GEAR SHAFT					154			
27	MILL DRIVE GEAR SHAFT					154			
28	MILL DRIVE GEAR SHAFT					154			
29	MILL DRIVE GEAR SHAFT					154			
30	MILL DRIVE GEAR SHAFT					154			

**S.S. ENGINEERS**  
 F-11, BLOCK-56, M.I.D.C. Phelp, Pune-411016  
 Phone - OFF : 8539787, 8539788, 8539789, 8539790, 8539791, 8539792, 8539793, 8539794, 8539795, 8539796, 8539797, 8539798, 8539799, 8539800, 8539801, 8539802, 8539803, 8539804, 8539805, 8539806, 8539807, 8539808, 8539809, 8539810, 8539811, 8539812, 8539813, 8539814, 8539815, 8539816, 8539817, 8539818, 8539819, 8539820, 8539821, 8539822, 8539823, 8539824, 8539825, 8539826, 8539827, 8539828, 8539829, 8539830, 8539831, 8539832, 8539833, 8539834, 8539835, 8539836, 8539837, 8539838, 8539839, 8539840, 8539841, 8539842, 8539843, 8539844, 8539845, 8539846, 8539847, 8539848, 8539849, 8539850, 8539851, 8539852, 8539853, 8539854, 8539855, 8539856, 8539857, 8539858, 8539859, 8539860, 8539861, 8539862, 8539863, 8539864, 8539865, 8539866, 8539867, 8539868, 8539869, 8539870, 8539871, 8539872, 8539873, 8539874, 8539875, 8539876, 8539877, 8539878, 8539879, 8539880, 8539881, 8539882, 8539883, 8539884, 8539885, 8539886, 8539887, 8539888, 8539889, 8539890, 8539891, 8539892, 8539893, 8539894, 8539895, 8539896, 8539897, 8539898, 8539899, 8539900, 8539901, 8539902, 8539903, 8539904, 8539905, 8539906, 8539907, 8539908, 8539909, 8539910, 8539911, 8539912, 8539913, 8539914, 8539915, 8539916, 8539917, 8539918, 8539919, 8539920, 8539921, 8539922, 8539923, 8539924, 8539925, 8539926, 8539927, 8539928, 8539929, 8539930, 8539931, 8539932, 8539933, 8539934, 8539935, 8539936, 8539937, 8539938, 8539939, 8539940, 8539941, 8539942, 8539943, 8539944, 8539945, 8539946, 8539947, 8539948, 8539949, 8539950, 8539951, 8539952, 8539953, 8539954, 8539955, 8539956, 8539957, 8539958, 8539959, 8539960, 8539961, 8539962, 8539963, 8539964, 8539965, 8539966, 8539967, 8539968, 8539969, 8539970, 8539971, 8539972, 8539973, 8539974, 8539975, 8539976, 8539977, 8539978, 8539979, 8539980, 8539981, 8539982, 8539983, 8539984, 8539985, 8539986, 8539987, 8539988, 8539989, 8539990, 8539991, 8539992, 8539993, 8539994, 8539995, 8539996, 8539997, 8539998, 8539999, 8540000

**BUSH FOR BEARING**  
 (400x550) Motor side  
 Mill Drive Gear Shaft  
 DRG. NO. C-MH-2024

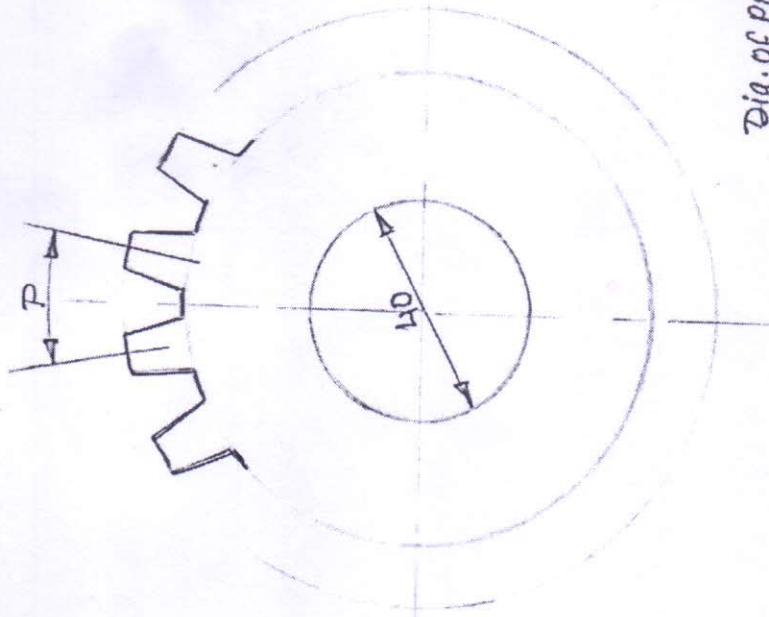






Date. 05.05.2018

B.S.S.U.KAR. KOWARDHA.



Dia. of Pinion -  $\phi$  125 m.m.

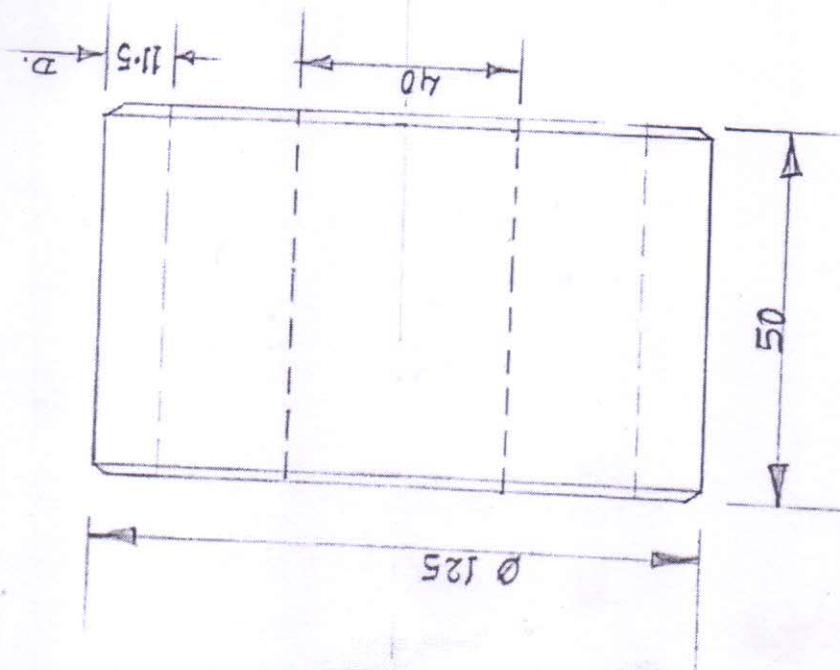
No. of Teeth - 23

Pitch - - - - - 17.0 m.m.

Depth - - - - - 11.5 m.m.

Pilot Bore - - -  $\phi$  40 m.m.

All Dimensions are in m.m.



\* Pinion \* Unloder no 1 & 2

B.S.S.U.K. DRG. NO. - U-1

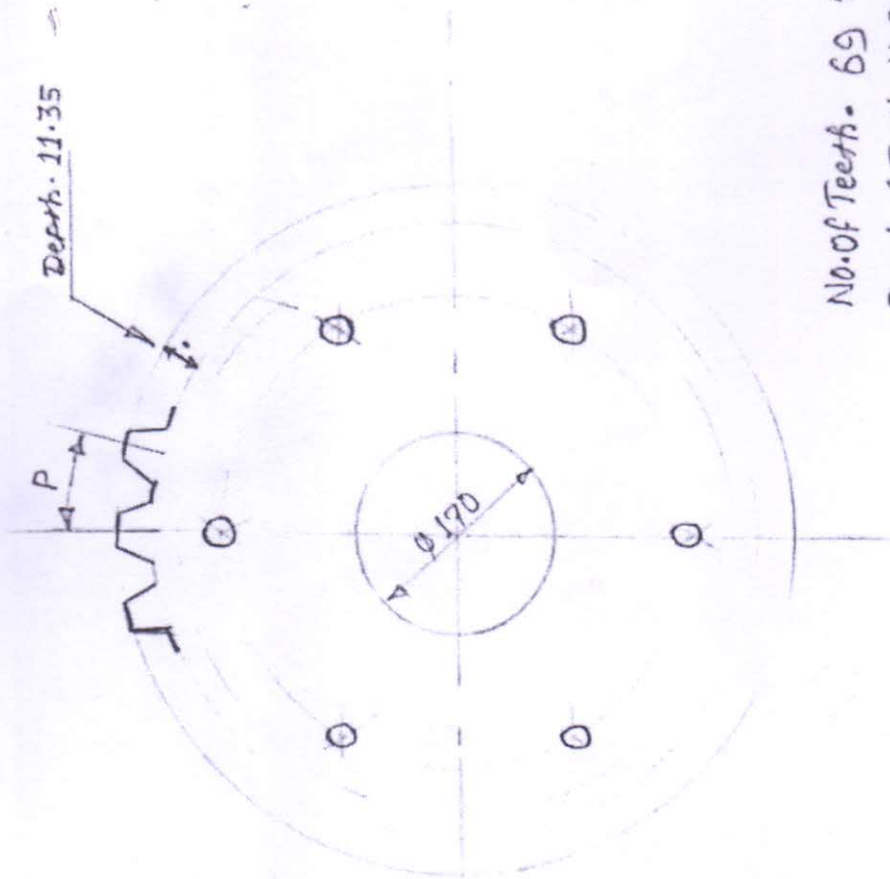






Dt. 05.05.2018

B.S.S.U. KAR. KAWARDHA.



No. of Teeth. 69 nos.

Depth of Teeth. 11.35

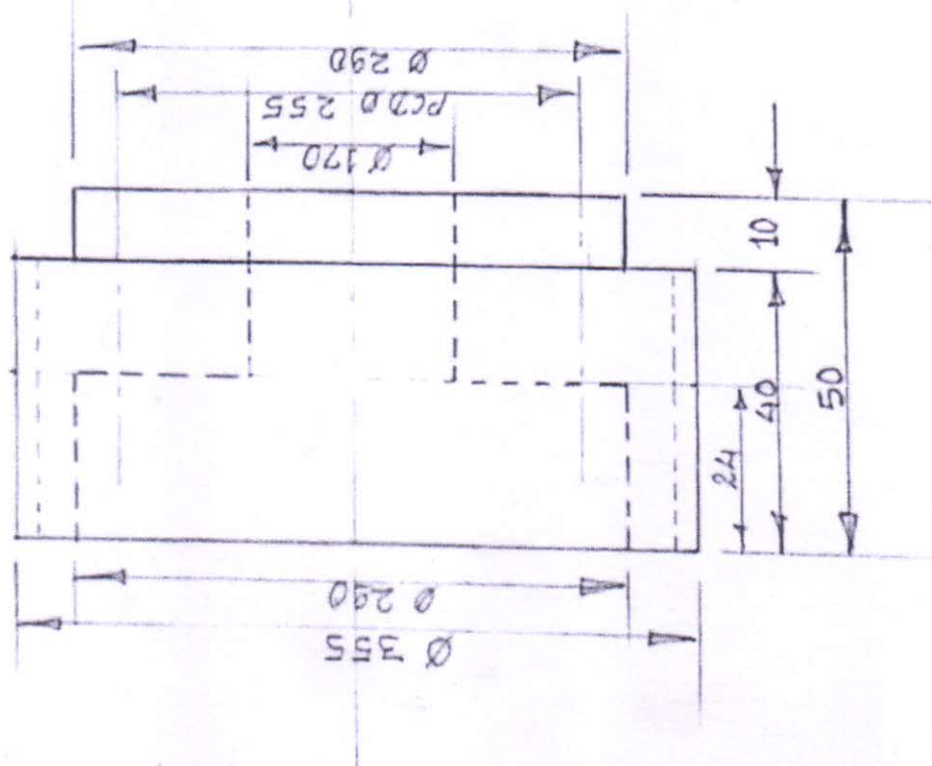
Pitch --- 16.15

Hole PCD --- 255 m.m.

No. of Hole --- 06

Hole Dia --- 16 m.m.

All dimensions are in m.m.

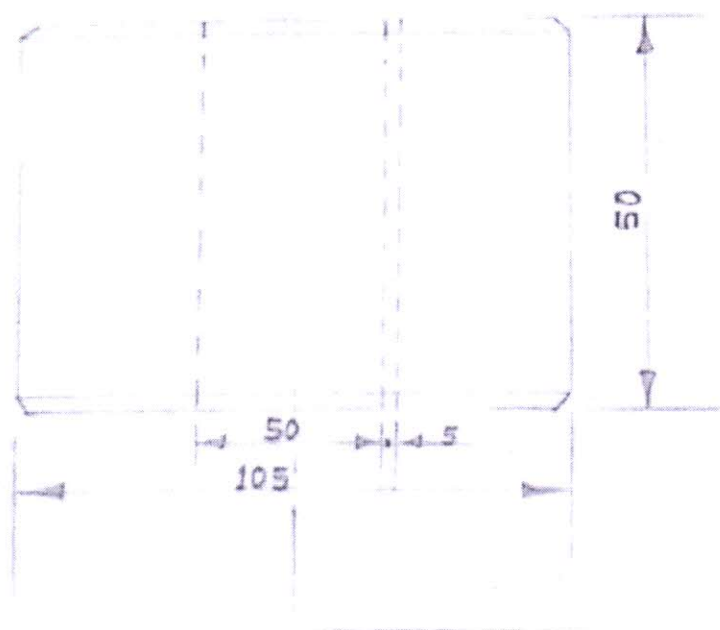
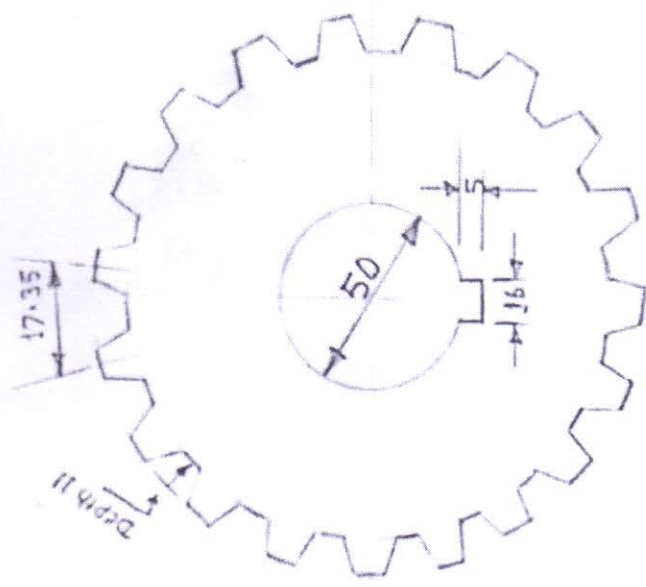


Big Gear Under No. 3.

DRG. NO. U-3



Date - 04.05.18  
 B.S.S U.K. KANISDUA

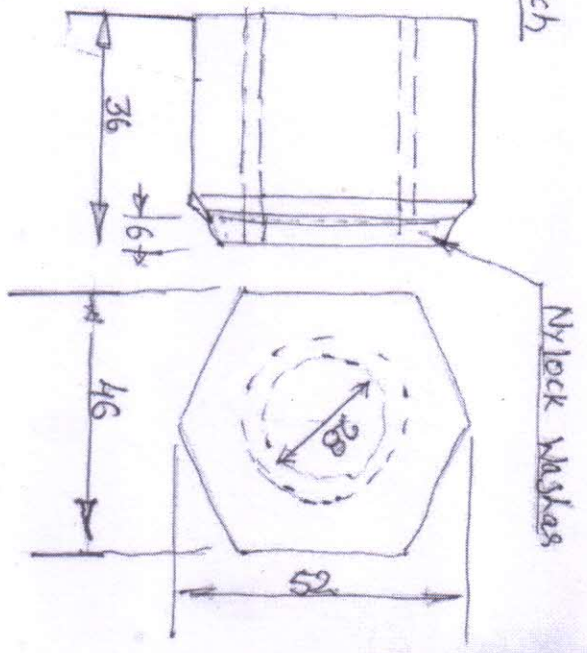
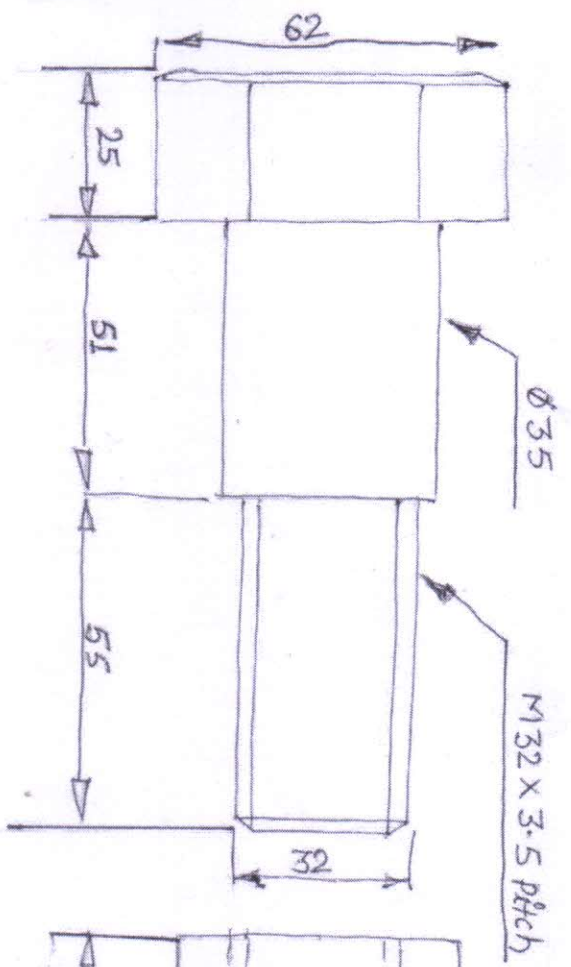
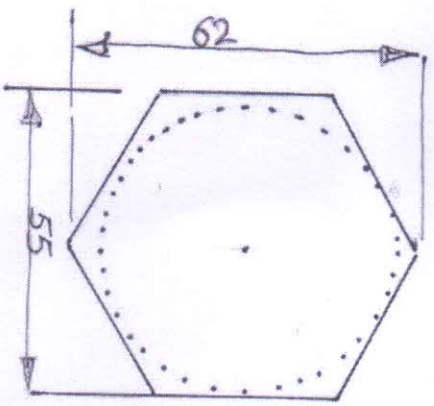


Pinion - Unloader No. 3.

- Dia. of Pinion - 105 mm.
  - Bore. - - - - 50
  - Key way - - - 16 x 5
  - Pitch. - - - - 17.35
  - No. of Teeth - - 19
  - Depth of Teeth - 11
- All Dimensions are in mm.

DRG NO - U-A





Mill House chopper's H.T. Bolt And Nylock Nut

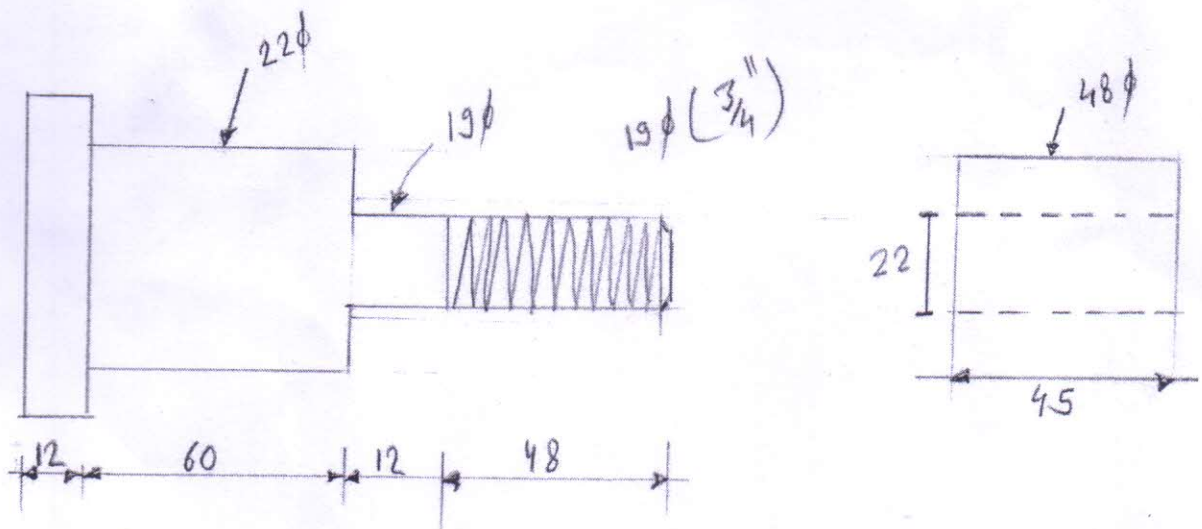
Thread:- Metric threads on Bolt & Nut.  
 coarse pitch

Nylock washer size

16/10/14

BHORAMDEO S. S. U. KAR. KAWARDHA	
Mill House Chopper H.T. Bolt & Nut	
DRN. By, Dhansing	Dt- 16.10.2014
CHD. By.	MAT.
DRG. NO. BSSU/K/MLH 05	All Dimensions in mm.



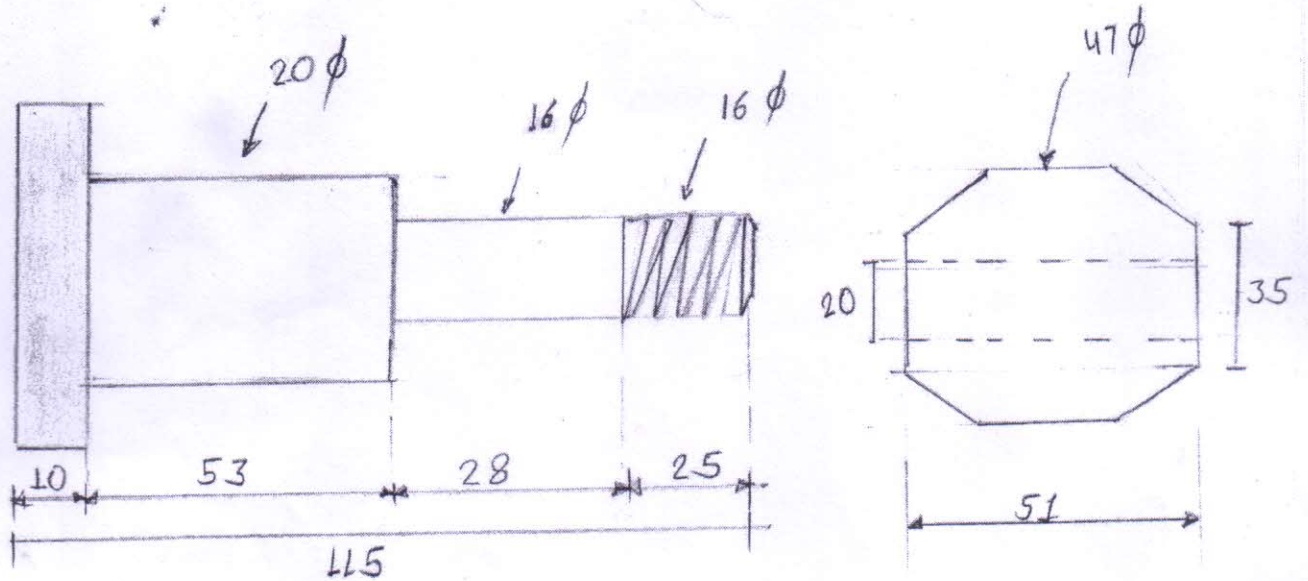


Coupling Bolt with Brass Linear Rubber Bush.

Org NO BSSVK (B/H) (C) 03 NO.

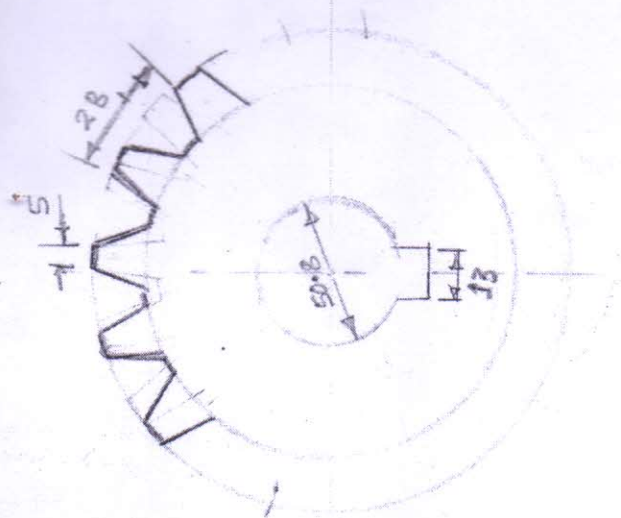
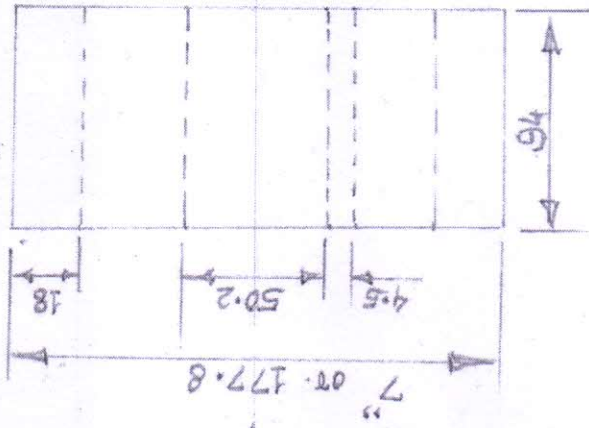


MASSECUITE PUMP



Coupling Ball with Brass linear Rubber Bush.  
Dwg. No.: B55UK B/H (c) of NI.





Teeth  $\phi$  of pinion - 7" or 177.8 mm.

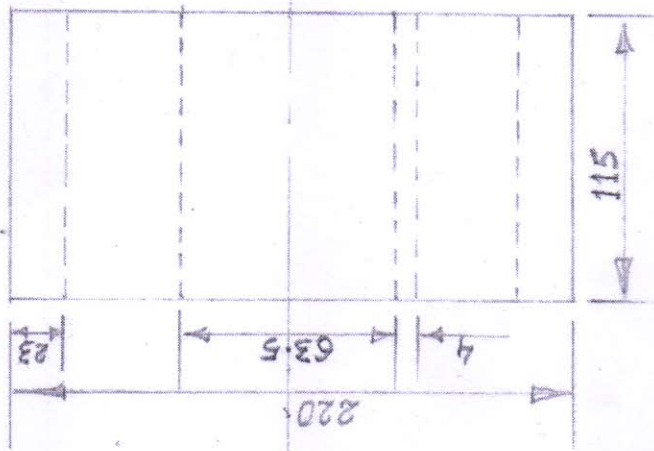
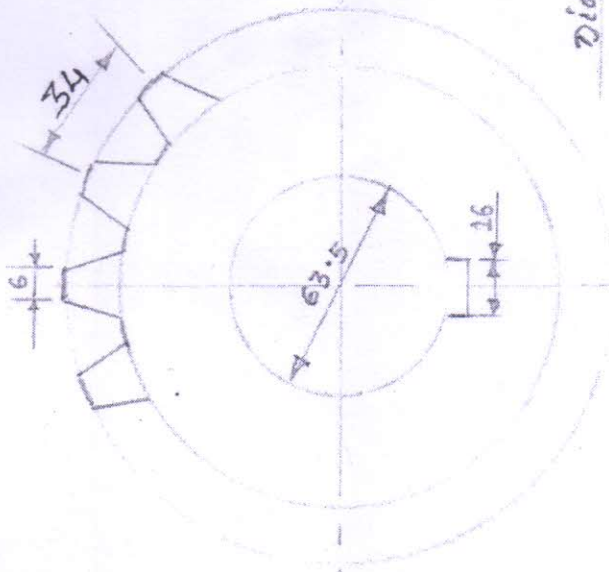
No. of Teeth = 20 Nos.

Key way. 13 x 4.5

All the dimensions are in millimeters

B.S.S.U. KAR, KAWARDA. CG	
Pinion for B and C Magma mixer	
DRG. NO. B.S.S.U.K802	Date - 14/06/2024
Material - C.S.	
CHD. BY	DRN. BY





Dia of pinion - 220 mm.

No. of Teeth - 20 Nos.

Bore Dia - 63.5 mm.

Key way - 16 x 5 mm.

All the dimensions are in millimeter

B.S.S.U. KAR, KAWARDHA. CG.

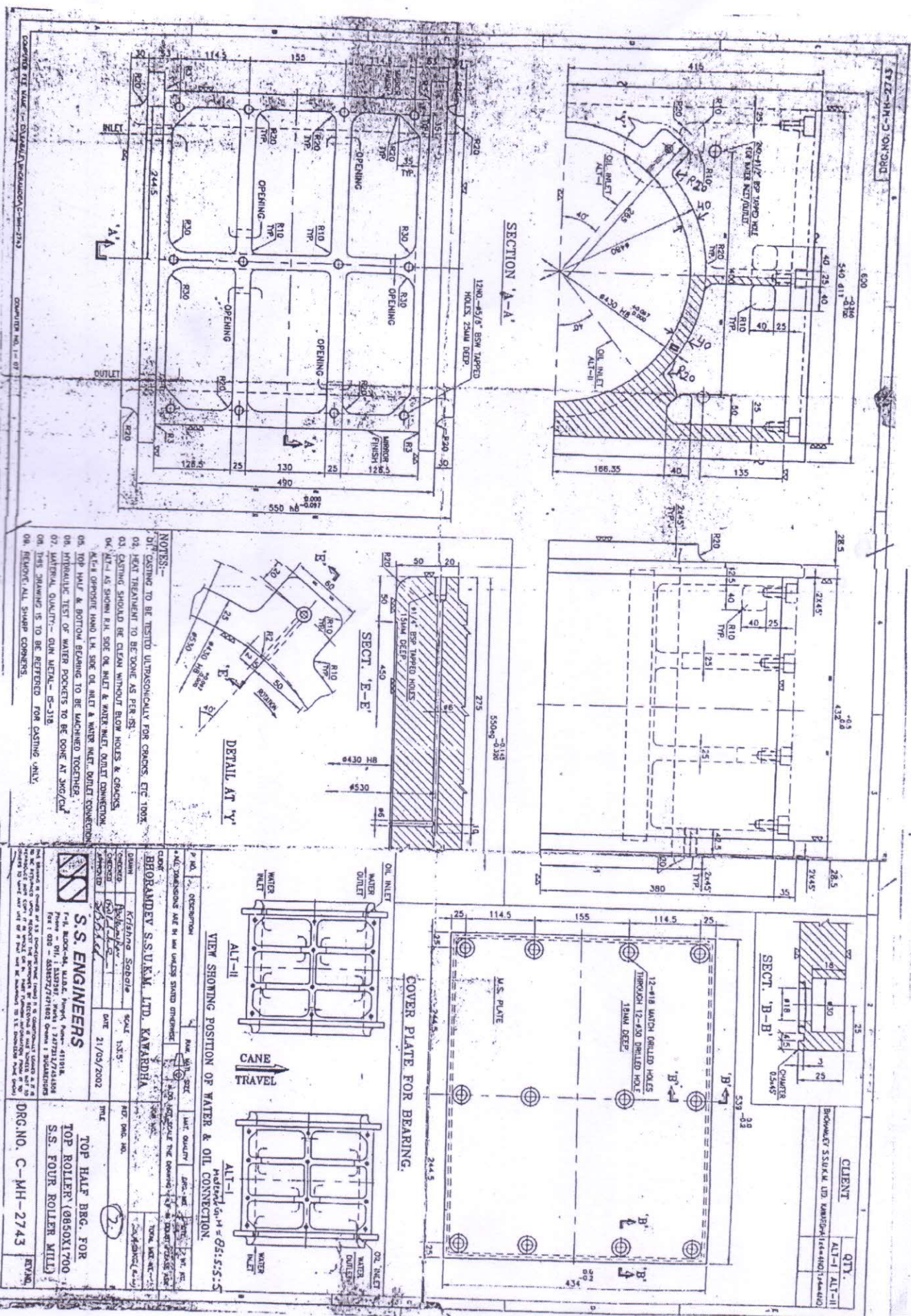
Pinion for Dry Seed Gear Box

DRG. NO - B.S.S.U.K.101 Dt. 14/06/2024

Material - C.S.

CHD. BY -  DRN. BY.

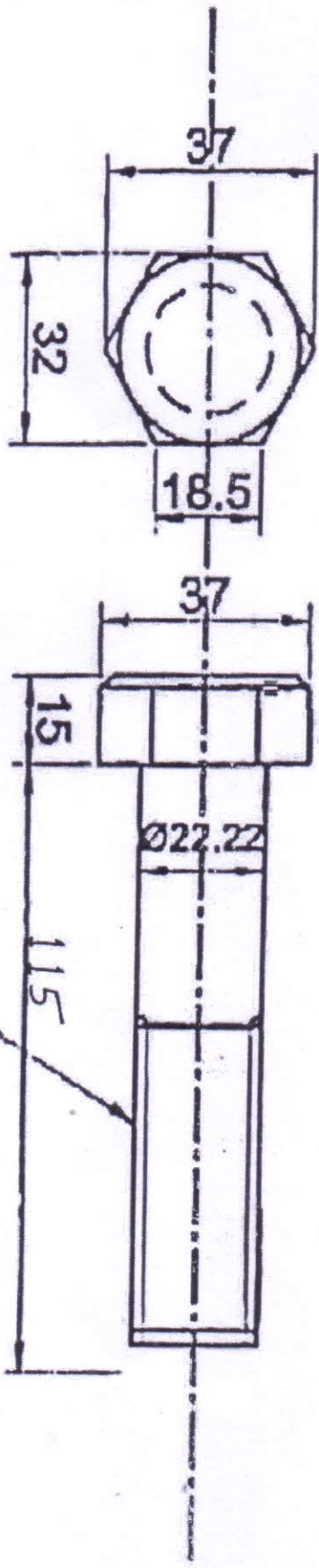




- NOTES:-**
01. CASTING TO BE TESTED ULTRASONICALLY FOR CRACKS, ETC. 100%
  02. HEAT TREATMENT TO BE DONE AS PER DS.
  03. CASTING SHOULD BE CLEAN WITHOUT BLOW HOLES & CRACKS.
  04. ALL AS SHOWN R.H. SIDE OF OIL INLET & WATER INLET, OUTLET CONNECTION, ALL 4 OPPOSITE HAND L.H. SIDE OF OIL INLET & WATER INLET, OUTLET CONNECTION.
  05. TOP HALF & BOTTOM BEARING TO BE MACHINED TOGETHER.
  06. HYDRAULIC TEST OF WATER POCKETS TO BE DONE AT 300/CM<sup>2</sup>.
  07. MATERIAL QUALITY - GUN METAL - IS-218.
  08. THIS DRAWING IS TO BE REFERRED FOR CASTING ONLY.
  09. FITTING ALL SHARP CORNERS.

<p><b>S. S. ENGINEERS</b>          P-11, BHOOPALA NAGAR, PUNE-411018          Phone - 020 - 2583282          Fax - 020 - 2583272/21023          E-mail - sse@rediffmail.com</p>		<p><b>CLIENT</b>          BROWARDY S.S.U.K.M. LTD. KAVARDEHA</p>	
<p><b>DRG. NO. C-MH-2743</b></p>	<p><b>QTY.</b>          ALT-I          ALT-II</p>	<p><b>DATE</b>          21/03/2002</p>	<p><b>SCALE</b>          1:1</p>
<p><b>DESIGNER</b>          KRISHNA SOBOLIA</p>	<p><b>CHECKED</b>          S.S. ENGINEERS</p>	<p><b>DATE</b>          21/03/2002</p>	<p><b>SCALE</b>          1:1</p>
<p><b>TOP HALF BRG. FOR TOP ROLLER (0850X1700)</b></p>	<p><b>S.S. FOUR ROLLER MILL</b></p>	<p><b>DRG. NO. C-MH-2743</b></p>	<p><b>EVAN</b></p>





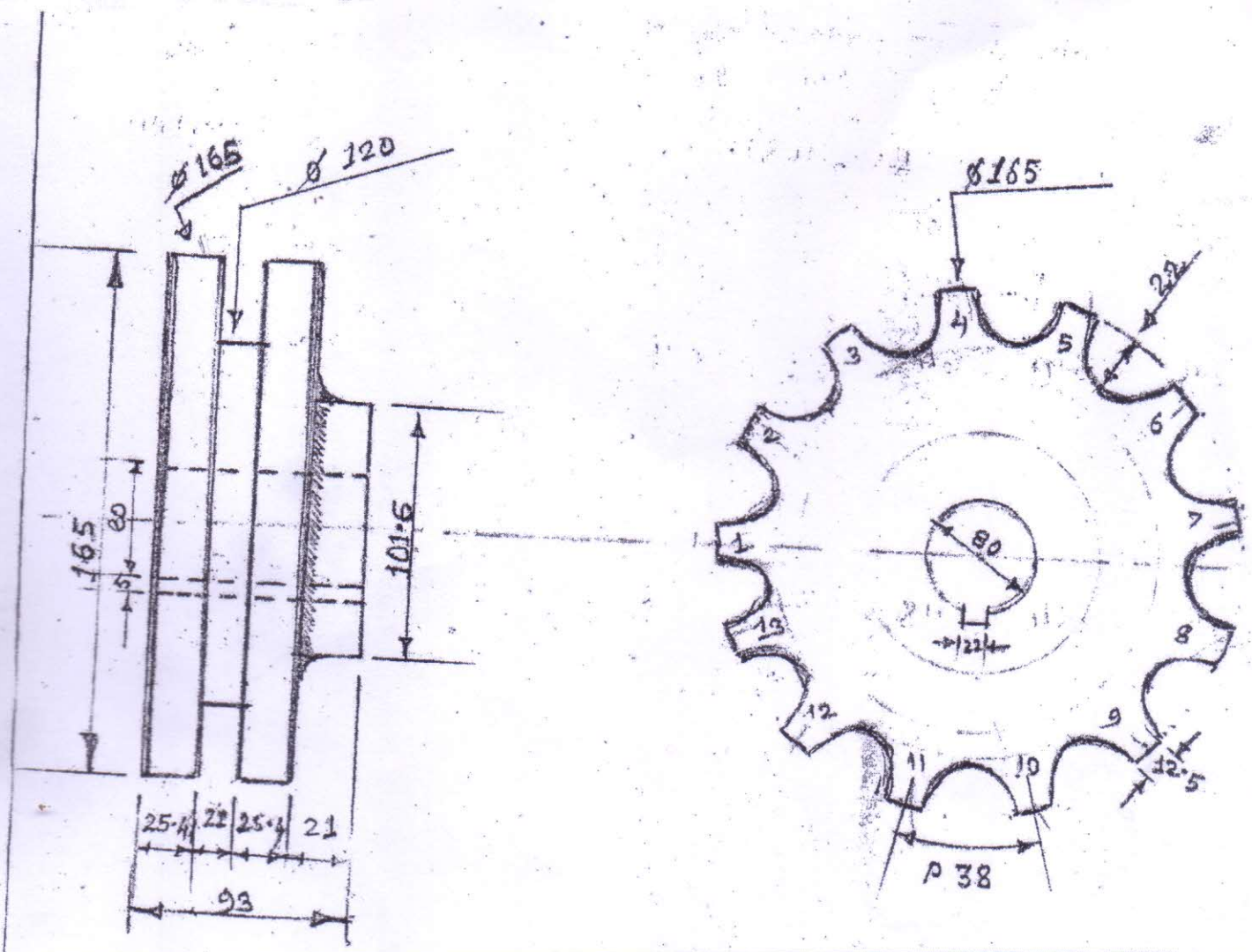
MATERIAL = HIGH TENSILE STEEL GRADE 10.9

7/8 UNF THREAD TPI-14

Fibrizer Hammer Tip Bolt

Des. No. - BSSVK/MH/280/06





Sprocket Dimensions

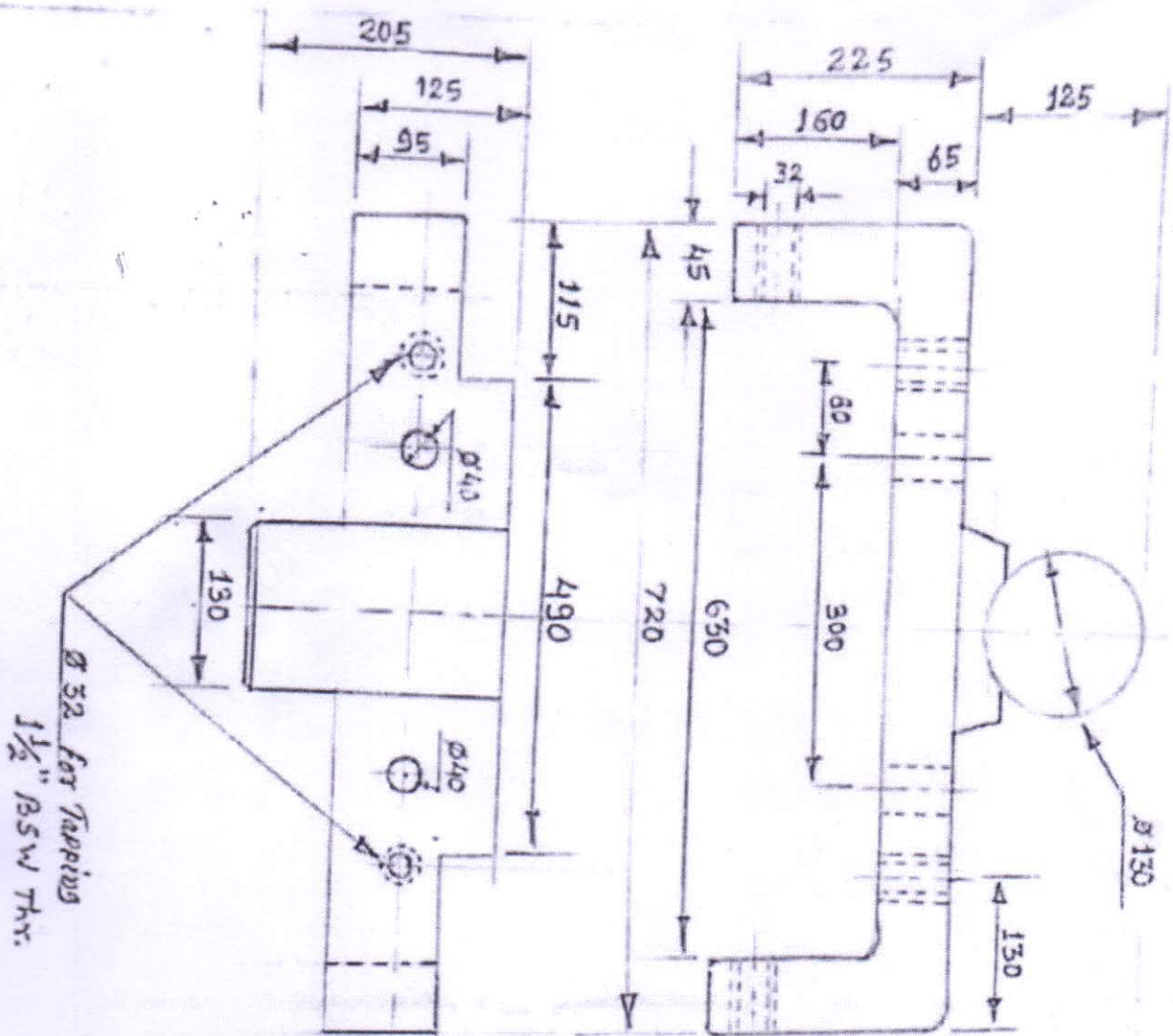
RBC Duplex Sprocket

M.M	Inch
25.4	1.000"
22.0	7/8"
P. 38.0	1.500"
101.6	4.000"
120.0	4.725"
165.0	6.500"
93.0	3.700"

- ① Dia. of chain Roller.. 1.000"
- ② Pitch of chain ---- 1.500"
- ③ NO. OF teeth ---- 13 Nos.
- ④ Key Way ----- 22 x 5 M.M
- ⑤ Bore ----- 80.00 mm

CSEB Boiler RBC Sprocket	
BSSUK. Kaidardha	DRN. BY. <i>[Signature]</i>
Dt- 18-02-2021	CHD. BY. <i>[Signature]</i>
Material.	CSEB/901 DRG. No.





B.S. S. U. KAR, KWARDHA. C.G.  
TRASH BENCH CHAIR

DRN. BY:

Date. 02.07.2017

CHD. BY: *A. M. H.*

Not in scale.

DRN. NO.: A.M.H. 577

All Dia. Are in mm.

MATL-JS-1030 Cr.280/520